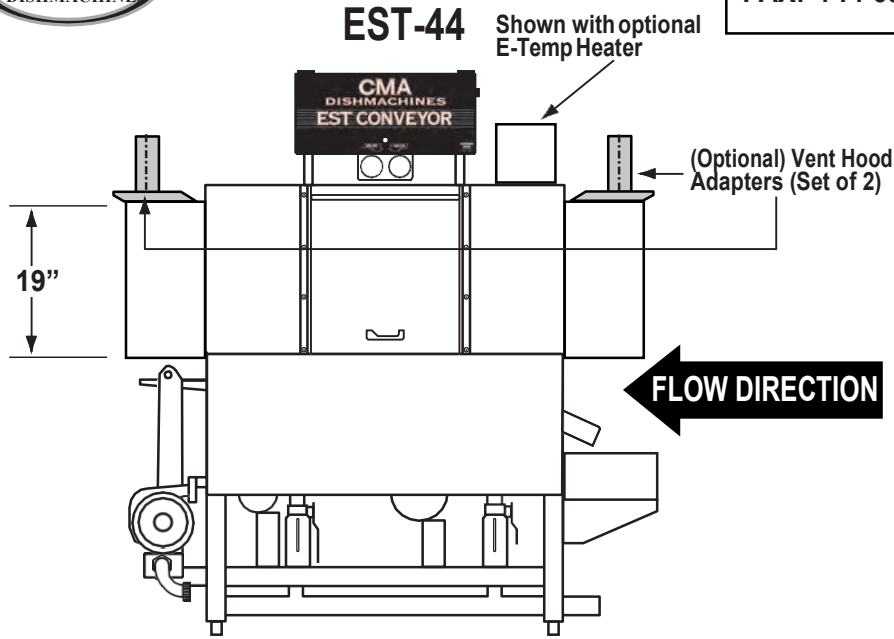




Please complete information requested below. Sign, date and return to:
 FAX: 714-895-2141 or E-mail: julie.stephenson@cmadishmachines.com

PO #:



EXTENDED HEIGHT (25")

RIGHT TO LEFT

OPTIONAL VENT HOOD ADAPTERS YES NO

VOLTAGE: 208-240V, 60HZ 480V, 60HZ OTHER

PHASE SINGLE PHASE 3 PHASE

WITH E-TEMP BOOSTER

VOLTAGE: 208-240V, 60HZ 480V, 60HZ OTHER

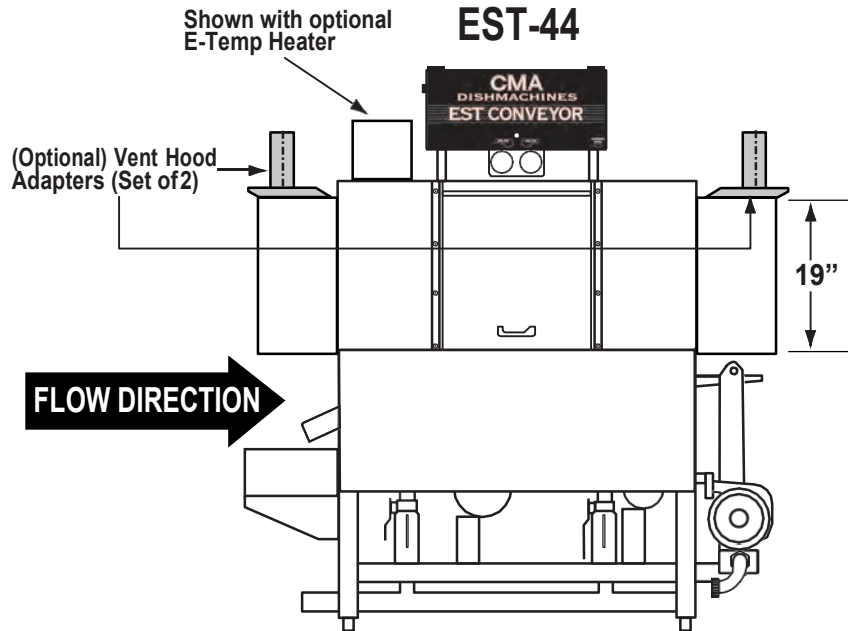
PHASE SINGLE PHASE 3 PHASE 40° RISE 70° RISE

E-TEMP HEATER: 40 degree rise and 70 degree rise. Single element (40 degree) vs. dual element (70 degree) option. Separate 208 240V, 3 phase power connection required. 9kW @208V=25 amps; 12kW@240V=29 amps; 15kW @208V=42 amps; 20kW @240V=48 amps. Field convertible from 40 degree rise to a 70 degree rise.

SIGNATURE

DATE

COMPANY NAME



EXTENDED HEIGHT (25")

*Upcharges Apply

LEFT TO RIGHT

OPTIONAL VENT HOOD ADAPTERS YES NO

VOLTAGE: 208-240V, 60HZ 480V, 60HZ OTHER

PHASE SINGLE PHASE 3 PHASE

WITH E-TEMP BOOSTER

VOLTAGE: 208-240V, 60HZ 480V, 60HZ OTHER

PHASE SINGLE PHASE 3 PHASE 40° RISE 70° RISE

E-TEMP HEATER: 40 degree rise and 70 degree rise. Single element (40 degree) vs. dual element (70 degree) option. Separate 208 240V, 3 phase power connection required. 9kW @208V=25 amps; 12kW@240V=29 amps; 15kW @208V=42 amps; 20kW @240V=48 amps. Field convertible from 40 degree rise to a 70 degree rise.

SIGNATURE

DATE

COMPANY NAME