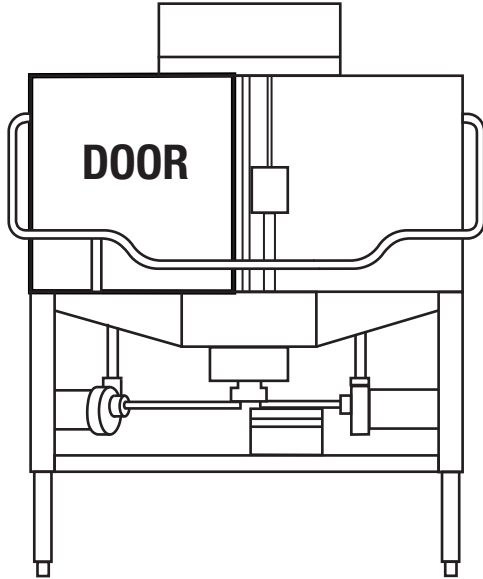




**CB LEFT DOOR  
CORNER / PN 1602.31**

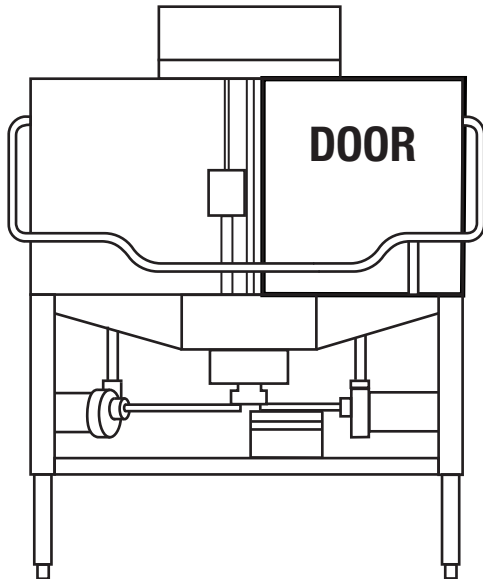


Please check box of model requesting.  
Sign, date and return.  
FAX: 714-895-2141  
E-mail: [julie.stephenson@cmadishmachines.com](mailto:julie.stephenson@cmadishmachines.com)

**FRONT DOOR ON LEFT**

\_\_\_\_\_  
SIGNATURE / DATE

**CB RIGHT DOOR  
CORNER / PN 1602.30**



**FRONT DOOR ON RIGHT**

\_\_\_\_\_  
SIGNATURE / DATE