

Seismic Certified Walk-Ins



Overview

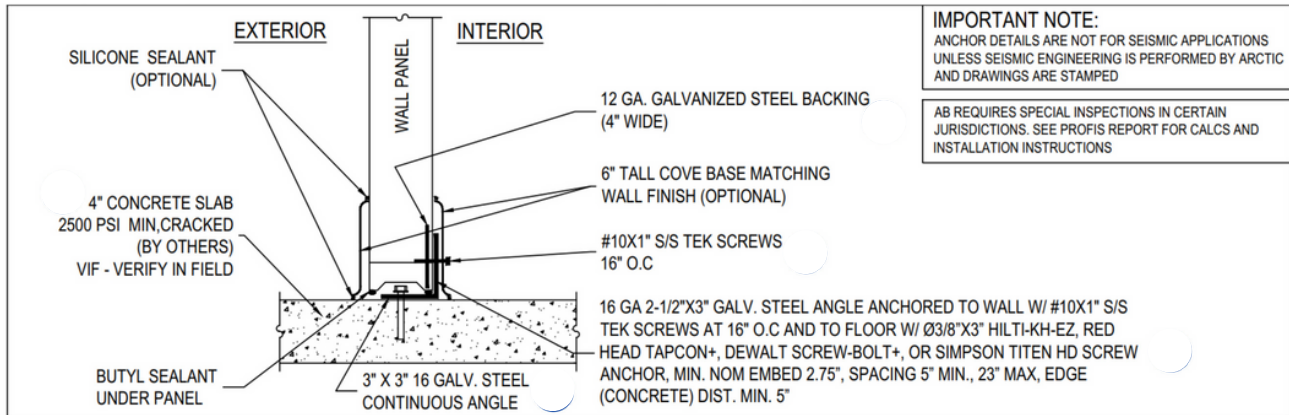
A seismic walk-in is engineered, manufactured, and installed to reduce the likelihood for human injury and property damage during a seismic event by preventing the walk-in from tipping over or collapsing.

Our Arctic Atlas™ seismic walk-ins are engineered from the inner core of the panel to the foundation mounting system to survive seismic events. Each Arctic Atlas™ seismic walk-in comes with drawings and calculations stamped by a professional engineer (PE).



Features

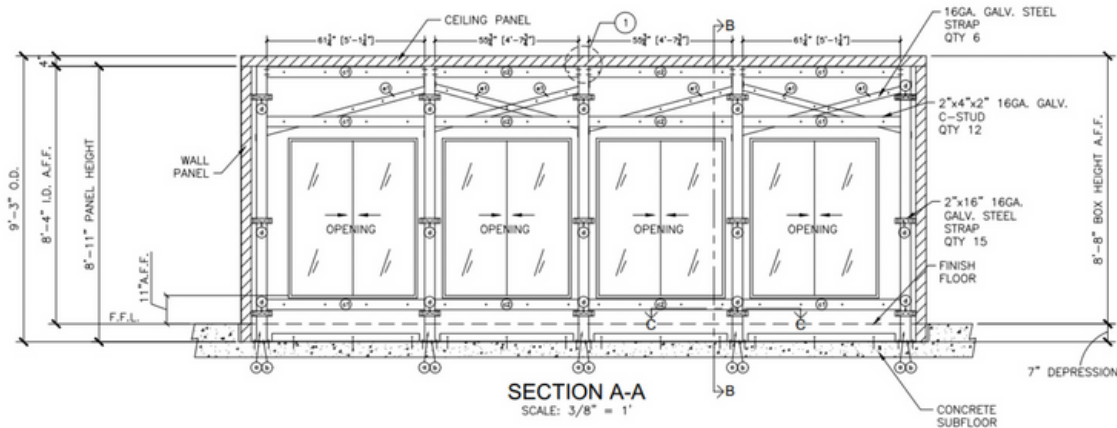
- Foamed-in-place structural 12 gauge Galvanized steel backing on designated wall/floor panels
- Easy to use On/Off light switch
- Door-mounted digital thermometer
- Self-sealing magnetic door
- Self-contained or remote refrigeration
- Standard 4-inch thick panels
- Optional panel thickness of 5-3/8" available
- Multiple options for panel finishes
- Pre-wired door panels
- LED energy efficient door light fixtures
- Door hinges with spring assist mechanism
- Optional multi-monitor alarm control systems
- Intertek listed to UL std. 471 and NSF 7



IMPORTANT NOTE:
ANCHOR DETAILS ARE NOT FOR SEISMIC APPLICATIONS UNLESS SEISMIC ENGINEERING IS PERFORMED BY ARCTIC AND DRAWINGS ARE STAMPED

AB REQUIRES SPECIAL INSPECTIONS IN CERTAIN JURISDICTIONS. SEE PROFIS REPORT FOR CALCS AND INSTALLATION INSTRUCTIONS

Arctic can engineer seismic certified walk-ins in any size



Standard seismic engineering and PE stamped drawings include:

- Single compartment and combo walk-ins.
- Evaporator suspended from external Unistrut bridging to the walk-in walls. (NOTE: refrigeration evaporator, Unistrut, hangers, and installation are not provided by Arctic unless noted in the refrigeration section of the quotation for Arctic-sourced walk-ins)
- PE (professional engineer) stamped drawings for the state or province where the walk-in will be installed. We offer stamped drawings in all 50 states, 8 Canadian provinces, and several Caribbean islands.